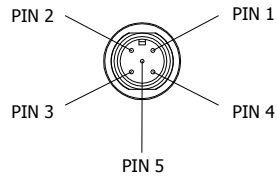


Revision Notes.

R1 -

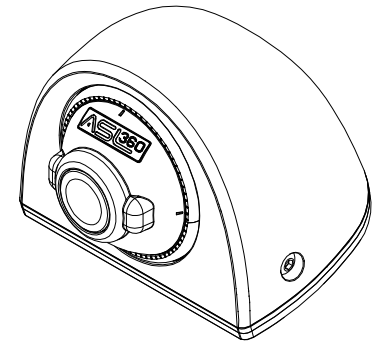
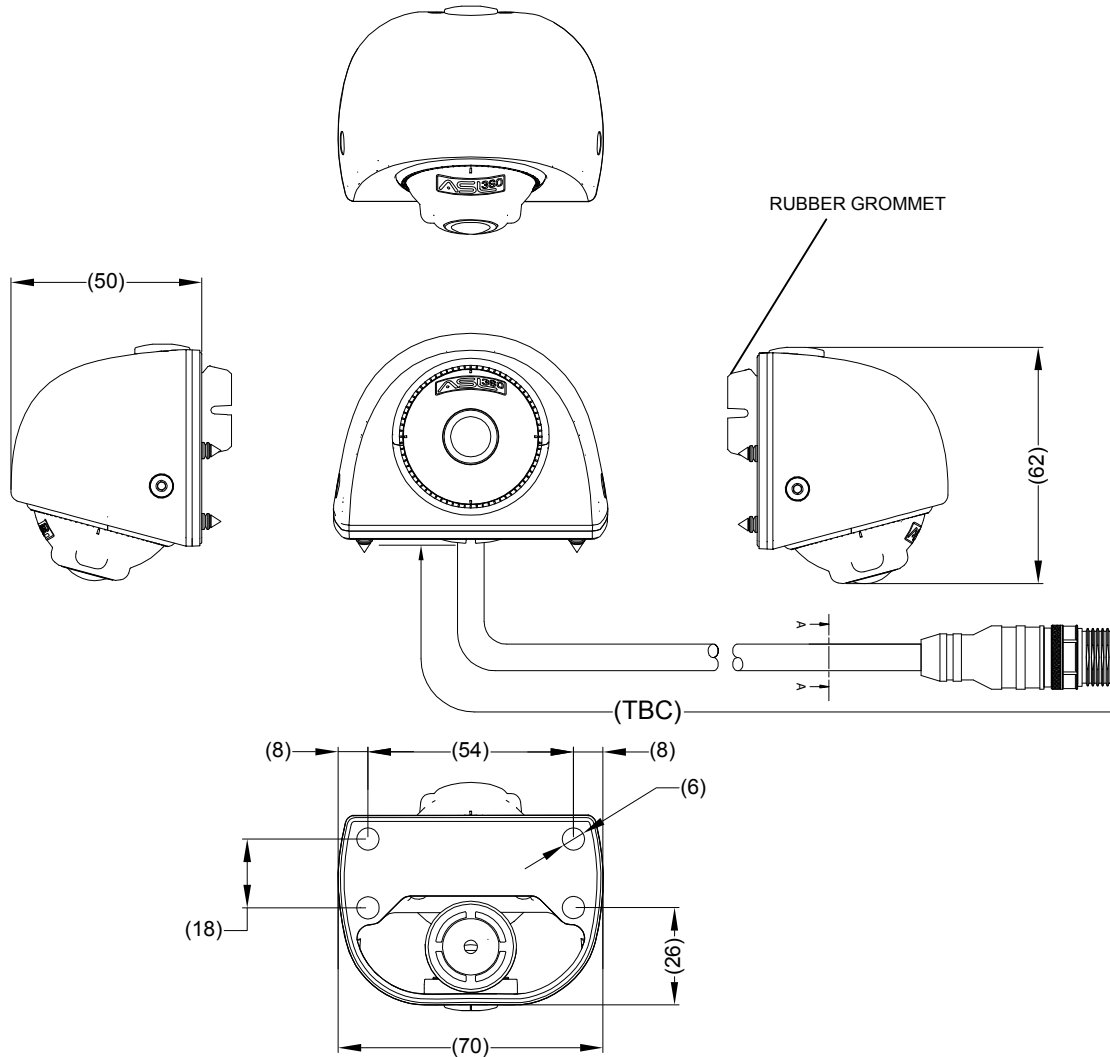
APA: - Drawn: - Checked: - Approved: - Date: -

VIEW A

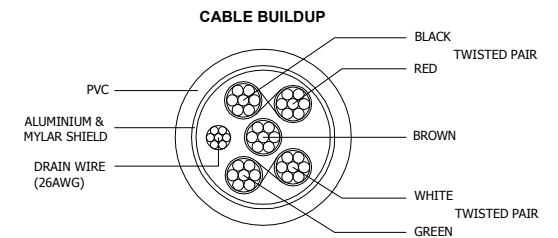


5 PIN M12 - CODE A
MALE MATING FACE

PIN #	WIRE COLOUR	DESCRIPTION
1	GREEN	VIDEO -
2	WHITE	VIDEO +
3	BLACK	GROUND
4	RED	POWER
5	BROWN	COMMS



VIEW A-A



NOTES.

- FOR MANUFACTURING CONTROL REFER TO ASSEMBLY PLANT 3D DRAWING: EV301790_CAM.STEP
- INTERNAL CABLES SHOULD BE ONE CONTINUOUS LENGTH BETWEEN CONNECTORS
- ENSURE CONNECTOR IS INSULATED WITH SELF AMALGAMATING TAPE
- THIS DRAWING IS FOR RELEASE PURPOSES ONLY AND MAY NOT ACCURATELY REPRESENT THE PRODUCT.

PROPRIETARY NOTICE

THIS DESIGN AND TECHNICAL INFORMATION APPEARING ON THIS DRAWING IS THE PROPERTY OF BRIGADE ELECTRONICS, AND IS DISCLOSED IN CONFIDENCE. IT IS NOT TO BE COPIED, REPRODUCED, REVEALED TO OR EXPROPRIATED BY OTHERS, EITHER IN WHOLE OR IN PART WITHOUT THE EXPRESS WRITTEN CONSENT OF BRIGADE ELECTRONICS.

BRIGADE[®]
www.brigade-electronics.com

Assembly Pl Approval NOT REQUESTED	Approved by S.MATTHEWS	Checked by B.CHILDS	Drawn by M.POTTER
Angle of Projection 	Units mm	Scale N/A	Released 21/02/13
Status RELEASED	Assembly Ref EV301790_CAM.STEP		
Part No 4387	ASL360-CM2-C BE-002323-00-13		